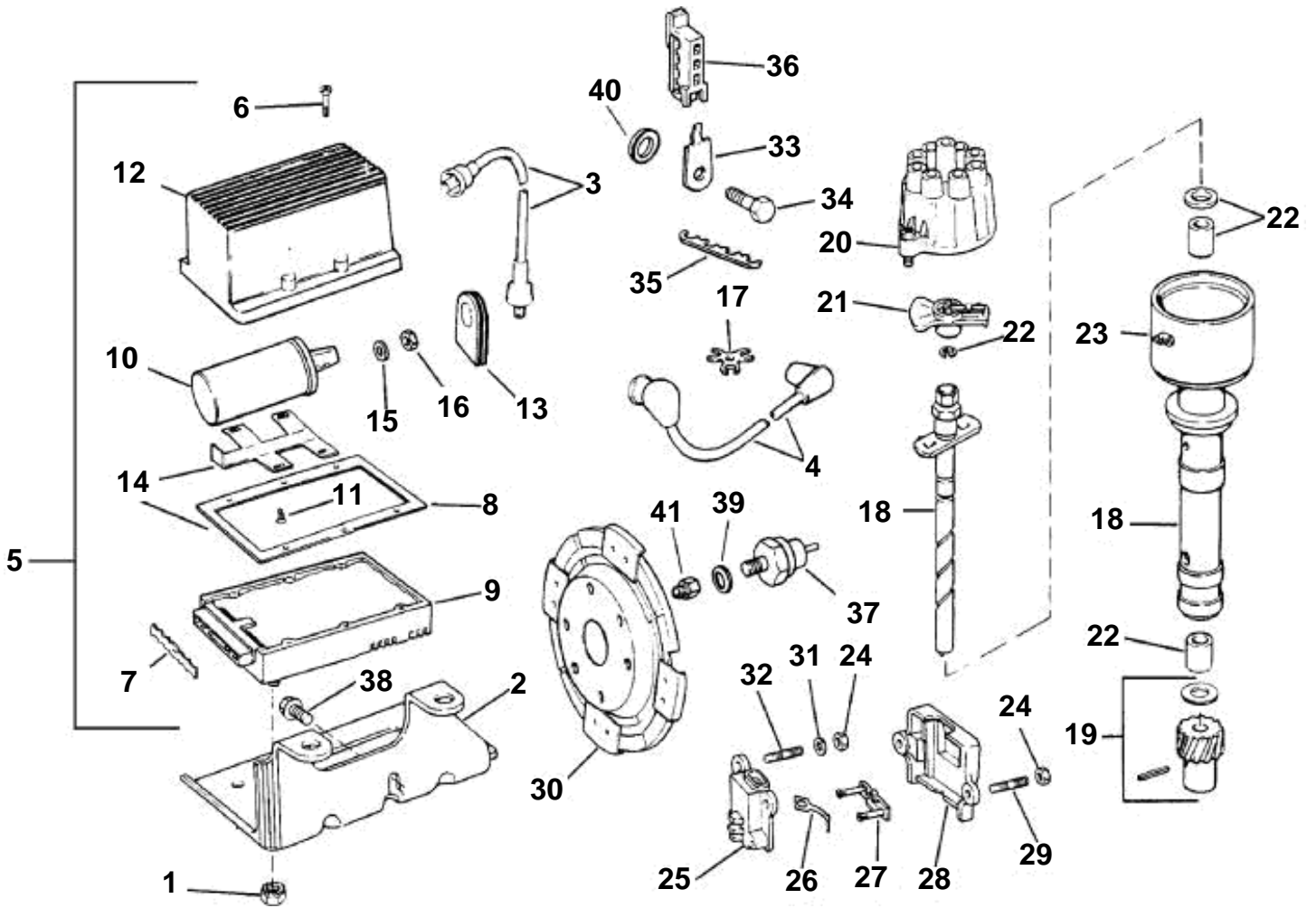


7.4GLPLKD



7.4GLPLKD

REF	PART NO.	QTY	DESCRIPTION	NOTES
1	3852099	3	Nut, Module to bracket	
2	3853377	1	Bracket, Ignition module	
3	3857168	1	Ignition cable kit	
4	3857168	2	Ignition cable kit	
5		1	lcm	
6	3853298	6	· Screw, Ignition module	
7	3853299	1	· Gasket, Connector	
8	3853297	1	· Gasket, Ignition module	
9		1	· Module	not sold separately
10	3852217	1	· Ignition coil	
11	3853552	1	· Screw, Coil bracket	
12	3853553	1	· Cover, Ignition module	
13	3853554	1	· Grommet, Ignition module	
14		1	· Bracket, Ignition module	
15	3852001	2	Lock washer, Ignition coil	
16	3852064	2	Nut, Ignition coil	
17	3852492	1	Retainer, 3-wire ignition leads	
18		1	Shaft	Part not sold
		1	Spring kit	
19	3853888	1	· Gear set, Distributor	
20	3853815	1	· Distributor cap	
21	3854134	1	· Rotor	
22		1	· Bearing	
23	3853812	1	· Bracket	
24	3852099	4	Nut, Sensor	SX
25		1	lcm	
26		1	· Spring, Sensor locator	
27	3853260	1	· Sender, Ignition sensor	
28		1	Cap, Sensor	
29		2	Stud, Sensor cover to flywheel hsg	
30		1	Ring, Ignition timing	
31	3852183	2	Washer, Sensor to flywheel hsg	
32		2	Stud, Sensor to flywheel housing	
33		3	Bracket, Spark plug leads	
34	3853154	1	Screw, Retainer, port	
	3853389	1	Screw, Retainer, stbd	
35	3852491	2	Retainer, 4 wire	SX, DP-S
	3852491	1	Retainer, 4 wire	
36	3852619	3	Retainer, Leads	
37		1	Knock sensor	SX
38	3853428	1	Screw, Bracket to high rise	
39	3852162	1	Washer, Sensor spacer	
40	3852116	1	Washer, Spacer, stbd	
41	3854388	1	Adapter, Knock sensor	